

SPECIFICATION

POWERLINK
Power Systems

Power Link the World

MODEL R60C **RG SERIES** **(FOR 50Hz DIESEL GENSET)**

Revision: A4 (09/22)

To inquire the latest revision of
document, visit our website at:
www.powerlinkworld.com



RG series R60C

50 Hz @ 1500rpm, 3-phase/5-wiring



1 Standards & Conditions

Design Standards

The designs and the productions are in conformity with:

- Conformance Européenne (CE)
- ISO8528-5:2005
- GB/T2820.5-2009

Environmental Operating Conditions

- Installation place: Outdoors or indoors (well ventilated).
- Ambient temperature: -25°C to 45°C. The coolant heater is needed when the temperature is below 5°C
- Humidity: Less than 90%.
- Altitude: Below one thousand (1000) meters above sea level.

Factory Inspection

- Inspection items.
- Protection devices working test.
- Starting ability in normal temperature.
- 50% rated power load moment capability.
- Voltage deviation and speed variation: 0%, 25%, 50%, 75%, 100%, 110% Load.

Painting Process

- Painting process specifications and colors are based on the manufacturer's standard.
- The customer could also choose the color which the manufacturer offers.

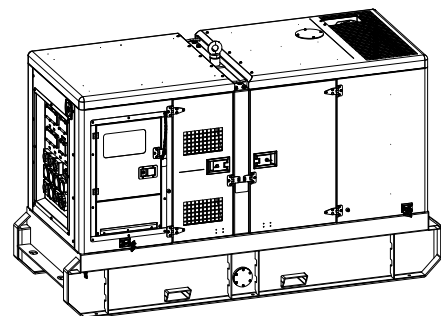
2 General Features

- Cummins engine QSB3.9-G2
- Close coupled to Leroy Somer alternator LSA42.3L9
- Microprocessor controller ComAp InteliLite4-AMF9
- ABB main circuit breaker: 125A
- Rotate speed governor: Electronic fuel injection
- Excitation System: Self Excited, SHUNT
- A.V.R. Model: R250
- Key switch
- Emergency stop switch
- ATS (automatic transfer switch) receptacle
- Remote run connector

- 2x12V/70AH sealed for life maintenance free battery
- Lockable battery isolator switch
- Powder coated canopy
- 50°C radiator
- Steel base frame with forklifts
- Vibration isolators between the engine/alternator and base frame
- Dry type air filter
- Base fuel tank with 20 hours running
- Drain points for fuel tank
- Operator's Manual / Specifications

3 Equipment Specification

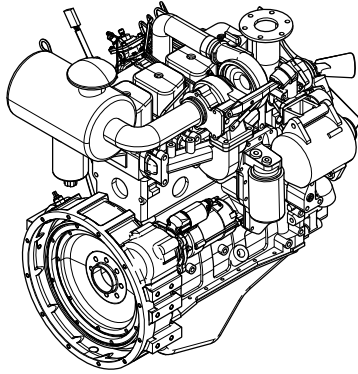
General technical data



| | |
|---------------------------------|------------------|
| Model..... | R60C |
| Tank capacity..... | 360L |
| Dry weight..... | 1744kg |
| Sound pressure level @ 7m | 68.2dBA |
| Dimensions L×W×H..... | 2850x1165x1793mm |
| Standby Power | 70kVA/56kW |
| Prime Power | 60kVA/48kW |

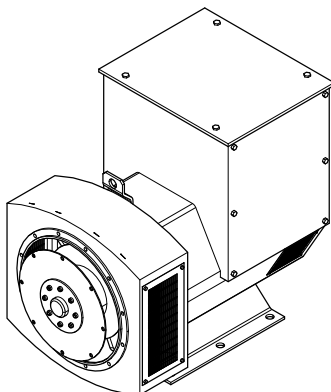
| Voltage | 380V | 400V | 415V | 440V | |
|-------------------------|-------|-------|-------|-------|------|
| Ampere | 91.1A | 86.6A | 83.5A | 78.7A | |
| Genset Fuel Consumption | | | | | |
| Frequency/Load | 25% | 50% | 75% | 100% | 110% |
| 50Hz (L/h) | 5 | 10 | 14 | 18 | 19 |

Dck Yf GrghYa



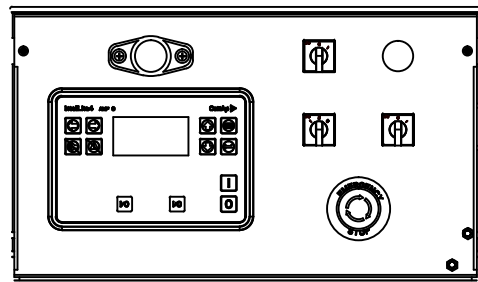
| | |
|--------------------------------|--|
| Engine Manufacturer/Brand..... | Cummins |
| Engine Model..... | QSB3.9-G2 |
| Dimensions L×W×H..... | 820x712x936mm |
| Dry Weigh (approx.)..... | 281kg |
| Number of Cylinders..... | 4 |
| Bore..... | 102mm |
| Stroke..... | 120mm |
| Displacement..... | 3.9L |
| Compression Ratio..... | 17.3 |
| Type of injection..... | Direct injection |
| Intake System..... | Turbocharged, air-to-air charge cooled |
| Intake Resistance..... | ≤6.28kPa |
| Cooling System..... | Water cooled |
| Fan..... | Pusher |
| Battery Voltage..... | 24V |
| Type of Fuel..... | No.2 or ASTM D975 |
| Type of Oil..... | 15W40-CH4 |
| Oil Capacity..... | 10.9L |
| Type of Coolant..... | Glycol mixture |
| Coolant Capacity..... | 7.0L |
| Back Pressure..... | ≤10.1kPa |
| Standby Power..... | 70kW |
| Prime Power..... | 63kW |

Alternator



| | |
|---|---------------------|
| Alternator Manufacturer/Brand..... | Leroy Somer |
| Alternator Model..... | LSA42.3L9 |
| Exciter..... | Brushless |
| Cooling Fan..... | Cast alloy aluminum |
| Windings..... | 100% copper |
| Insulation Class..... | H |
| Winding Pitch..... | 2/3 |
| Terminals..... | 12 |
| Drip Proof..... | IP23 |
| Altitude..... | ≤1000m |
| Overspeed..... | 2250rpm |
| Air Flow..... | N/A |
| Voltage Regulation..... | ±1.0% |
| Total Harmonic TGH / THCat no load < 1.5 % - on load < 5% | |
| Telephone Interference..... | THF<2%;TIF<50 |

InteliLite4-AMF9 Control System

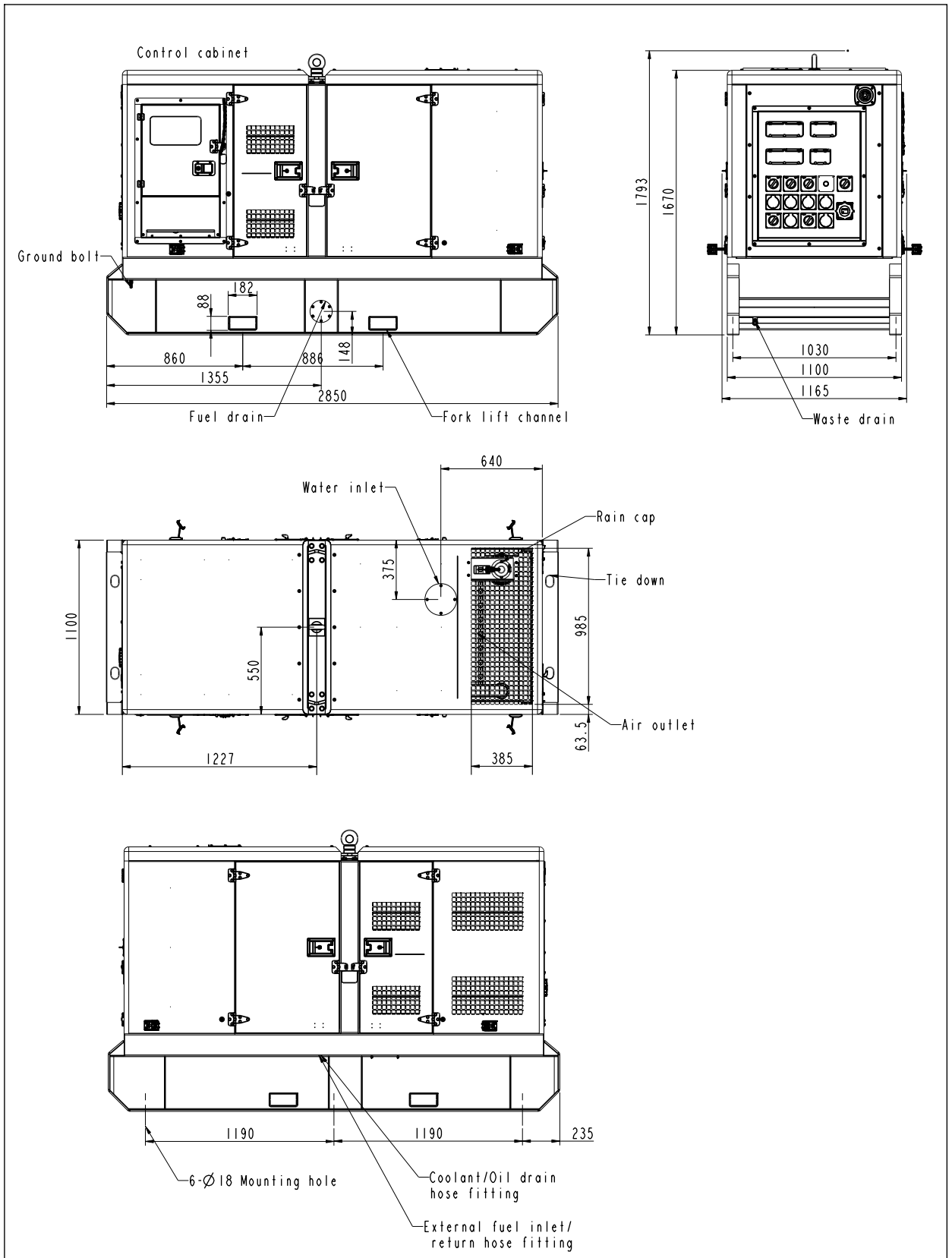


InteliLite4-AMF9 is Single Gen-set controller for stand-by and prime-power applications and all-in-one intuitive & powerful PC tool for configuration/monitoring/control, locally or remotely and easy to install, configure and use

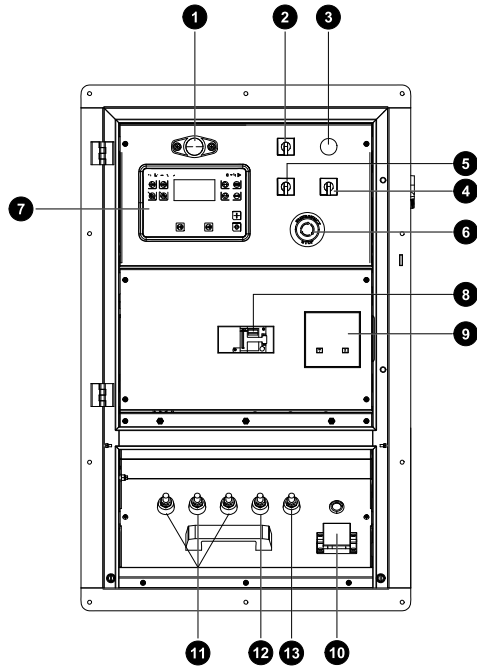
Standard Control Function

- Stand-by and prime-power application in one unit
- Dual Mutual Standby application support
- Remote display
- User setpoints and protections
- User Access Management
- Cyber security improvement
- Alternative configurations
- Multi-purpose schedulers

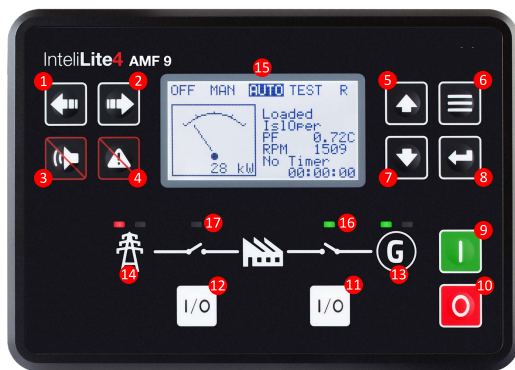
4 Overall Dimensions



5 Control System



| Ref. | Description |
|------|--|
| 1 | Control panel lamp |
| 2 | Lamp switch |
| 3 | Not ready |
| 4 | Control power |
| 5 | Control mode |
| 6 | Emergency stop button |
| 7 | Control module |
| 8 | Main circuit breaker |
| 9 | RCD. |
| 10 | Mains input/remote communication connector |
| 11 | Live wire terminals |
| 12 | Neutral wire terminal |
| 13 | Ground wire terminal |



| Ref. | Description |
|------|-----------------------------------|
| 1 | LEFT button. |
| 2 | RIGHT button |
| 3 | HORN RESET button |
| 4 | FAULT RESET button |
| 5 | UP button |
| 6 | PAGE button |
| 7 | DOWN button |
| 8 | ENTER button |
| 9 | START button |
| 10 | STOP button |
| 11 | GCB button |
| 12 | MCB button |
| 13 | GENERATOR status indicator |
| 14 | MAINS status indicator |
| 15 | Graphic B/W display, 132 × 64 px. |
| 16 | GCB Status |
| 17 | MCB Status |

SPECIFICATION

RG SERIES DIESEL GENSET

R60C

Revision: A4 (09/22)

To inquire the latest revision of
document, visit our website at:
www.powerlinkworld.com

