

# POWERLINK

PowerLink is a professional diesel generator set, gas generator set, diesel lighting tower, and mobile air compressor manufacturer. PowerLink is able to provide a variety of energy solutions. With our facilities, both factories of PowerLink UK and PowerLink China has the capability to provide fast delivery for users across the globe.



**POWERLINK**  
Power Systems  
*Power Link the World*

PowerLink Machine (Shanghai) Co., Ltd  
No. 150, Guanghua Road, Songjiang Science & Technology Park  
Tel. +86-21-57858099  
Sales Tel. +86-21-57858416  
Fax. +86-21-57850867  
info@powerlinkworld.com



## LIGHTING TOWER

**POWERLINK**  
Power Systems  
*Power Link the World*

**LED LAMP**  
70980lm-336000lm

## MS2000 Mobile Lighting Tower

### General Features

- 4 X 500W LED lights deliver in excessive of 200000lm, at least 30% brighter than its peer product.
- 48V DC extra low voltage, low maintenance cost.
- Auto mast lowering system, off balance protection to minimize the risk of tip over due to the fault in operation.
- 4 pole Lockable battery isolator
- Controller timing and auto start up / shut down function
- Long range fuel tank, 2 weeks operation without topping up the fuel tank
- Bund for all fluids
- Easy access for maintenance and repair
- Rigid structure, easy to tow
- Central lifting point, folk lift pocket and tie down / witching point
- Compact in size, 8 units per semitrailer transport

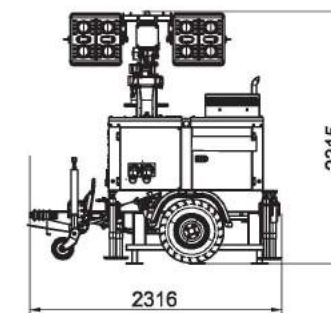
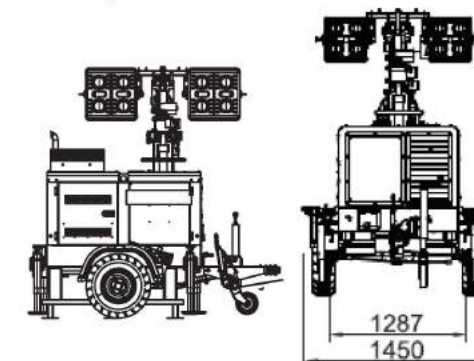


### Equipment Specification

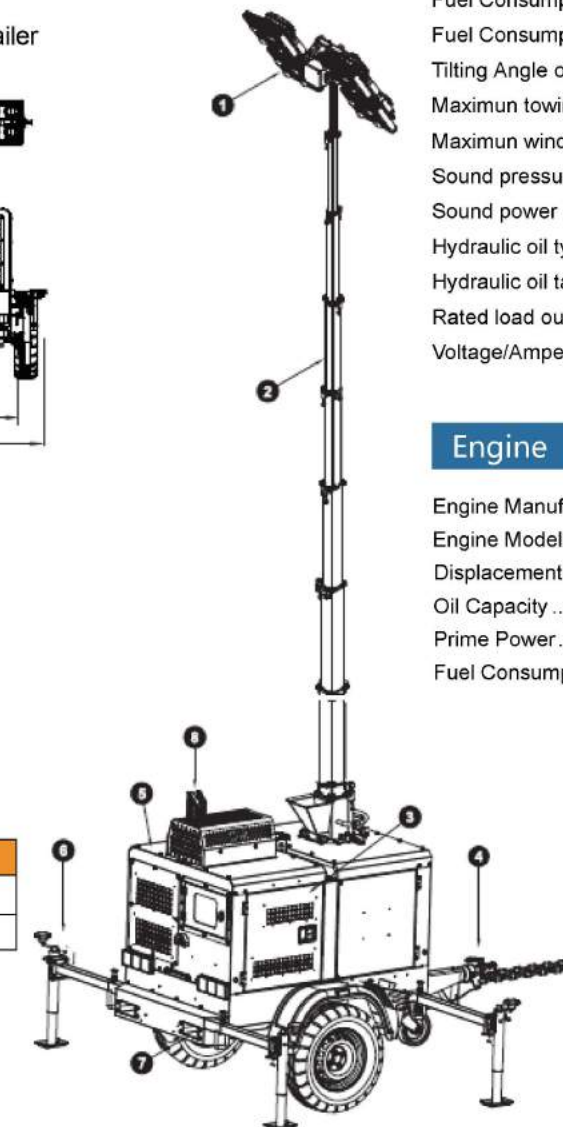
Model.....	MS2000
Tank capacity.....	80L
Wet weight.....	1125 kg
Dry weight.....	1050 kg
Total lighting wattage.....	4x500W
Tire size.....	185/70 R13
Fuel Consumption(L/h) - 2Lamps.....	0.48
Fuel Consumption(L/h) - 4Lamps.....	0.76
Tilting Angle of Light Fixture rotation.....	47°
Maximun towing speed.....	80km/h
Maximun wind speed rating.....	102km/h
Sound pressure level @7m.....	63dB(A)
Sound power level acc. 2000/14/EC.....	N/A
Hydraulic oil type.....	L-HM46
Hydraulic oil tank capacity.....	6L
Rated load output.....	2.0kW
Voltage/Ampere.....	DC 48V/41.7A

### Engine

Engine Manufacturer/Brand.....	KUBOTA
Engine Model.....	Z482-E3B-BG
Displacement.....	0.479L
Oil Capacity.....	2.5L
Prime Power.....	4.3kW
Fuel Consumption(100%load).....	0.76L/h



Dimensions	
Fully retracted	2316x1427x2315mm
Fully extended	2316x2562x9490mm



- ① Lamps
- ② Mast
- ③ Access door
- ④ Draw bar
- ⑤ Canopy
- ⑥ Stabiliser support leg
- ⑦ Forklift channel
- ⑧ Exhaust gas pipe



**MS2000  
Mobile Lighting Tower**

# LIGHTING TOWERS



Items	LE Series				LS Series			LH Series
Main Features	Compact structure, small size, simple operation, high cost effective				Good road passage, easy maintenance, suitable for complex working conditions.			Durable, good road passage, easy maintenance, specially for mining.
Product Model	ALT5000M-EL	ALT5000M-EH	ALT3500M-EL	ALT3500M-EL	ALT6600A-SL	ALT6600A-GL	ALT6600A-GHL	ALT2000-KDG
Light Type	LED lamp	Metal halide lamp	LED lamp	LED lamp	LED lamp	LED lamp	LED lamp	LED lamp
Luminous Flux(Max)lm	70980	112000	141816	141816	141816	141816	141816	202600
Light Intensity(Max)cd	135848	143500	186484	186484	186484	186484	186484	213125
Light Power(W)	2*350	4*400	4*350	4*350	4*350	4*350	4*350	4*500
Engine Brand	PowerLink	PowerLink	Perkins	Perkins	Perkins	Perkins	Perkins	Kubota
Engine Model	PL186FADE	PL186FADE	403D-07G	402D-05G	402D-05G	402D-05G	402D-05G	Z482-E4B-ACP-1
Fuel Consumption (L/KW*H)	0.36	0.36	1.7	1.2	1.2	1.2	1.2	0.76
Voltage	230V AC	230V AC	230V AC	230V AC	230V AC	230V AC	230V AC	48V DC
Control System	Key Start	PLC	PLC	PLC	PLC	PLC	PLC	PLC
Protection class	IP23	IP44	IP23	IP23	IP44	IP44	IP44	IP23
Noise Level @7m	70dB(A)	70dB(A)	63dB(A)	63dB(A)	62dB(A)	62dB(A)	62dB(A)	53dB(A)
Mast Extension Mode	Manual	Winch	Manual	Manual	Hydraulic lifting	Hydraulic lifting	Hydraulic lifting	Hydraulic lifting
Mast Rotation Angle	359°	359°	359°	359°	359°	359°	359°	180°
Light Angle Adjustment Mode	Manual	Manual	Manual	Manual	Electric	Electric	Electric	Electric
Dimension(mm) (fully extended)	1651*1868*5000	1651*1868*5000	2800*2700*7000	2800*2700*7000	3256*2957*9000	3256*2957*9000	3256*2957*9000	3232*2650*9000
Dimension(mm) (fully retracted)	1505*895*2218	1505*895*2218	2800*1200*2230	2800*1200*2230	3256*1508*2300	3256*1508*2300	3256*1508*2300	3232*1478*2472
Light Height(mm)	5000	5000	7000	7000	9000	9000	9000	9000
Max Towing Speed	5km/h	5km/h	20km/h	20km/h	80km/h	40km/h	40km/h	80km/h

Note: About detailed technical information, please contact Powerlink to get technical data sheet and drawing.

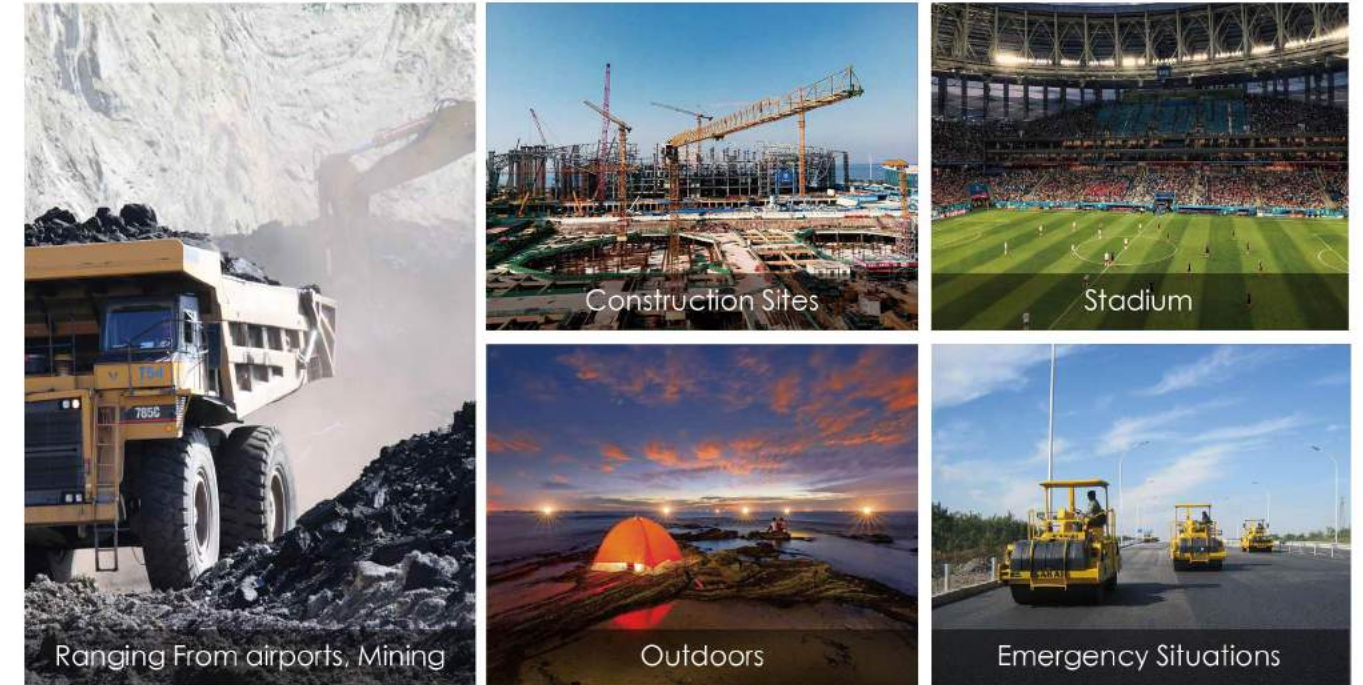
## LIGHTING TOWERS



Items	MS Series				FS Series
Main Features	Intelligent control, energy saving and environmental protection, high cost effective, suitable for various rental working conditions.				Fixed installation, small size, continuous running for long time.
Product Model	MS2000-PAC	MS2000-PDC	MS2000-KDC	MS1800S-KDC	FS2000-PAC
Light Type	LED lamp	LED lamp	LED lamp	LED lamp	LED lamp
Luminous Flux(Max)lm	202600	202600	202600	182000	202600
Light Intensity(Max)cd	213125	213125	213125	191500	213125
Light Power(W)	4*500	4*500	4*500	4*450	4*500
Engine Brand	Perkins	Perkins	Kubota	Kubota	Perkins
Engine Model	402D-05G	402D-05G	Z482-E4B-ACP-1	Z482-E4B-ACP-1	402D-05G
Fuel Consumption (L/KW*H)	1.2	1.2	0.76	0.68	1.2
Voltage	230V AC	48V DC	48V DC	48V DC	230V AC
Control System	PLC	PLC	PLC	PLC	PLC
Protection class	IP23	IP23	IP23	IP23	IP23
Noise Level @7m	53dB(A)	53dB(A)	53dB(A)	53dB(A)	53dB(A)
Mast Extension Mode	Hydraulic lifting	Hydraulic lifting	Hydraulic lifting	Hydraulic lifting	Hydraulic lifting
Mast Rotation Angle	359°	359°	359°	/	359°
Light Angle Adjustment Mode	Electric	Electric	Electric	Electric	Electric
Dimension(mm) (fully extended)	2400*1450*9000	2400*1450*9000	2400*1450*9000	2400*1450*6500	1756*1722*8200
Dimension(mm) (fully retracted)	2400*1450*2280	2400*1450*2280	2400*1450*2280	2400*1450*2280	1167*1133*2390
Light Height(mm)	9000	9000	9000	6500	8200
Max Towing Speed	80km/h	80km/h	80km/h	80km/h	N/A

Note: About detailed technical information, please contact Powerlink to get technical data sheet and drawing.

## Providing Solutions Where Lightings Are Required



Lighting solution suitable for use in all kinds of situations, ranging from airports, mining, construction sites, road works, emergency situations and many more.

