





# CHE125

COMMERCIAL ENERGY STORAGE SYSTEM

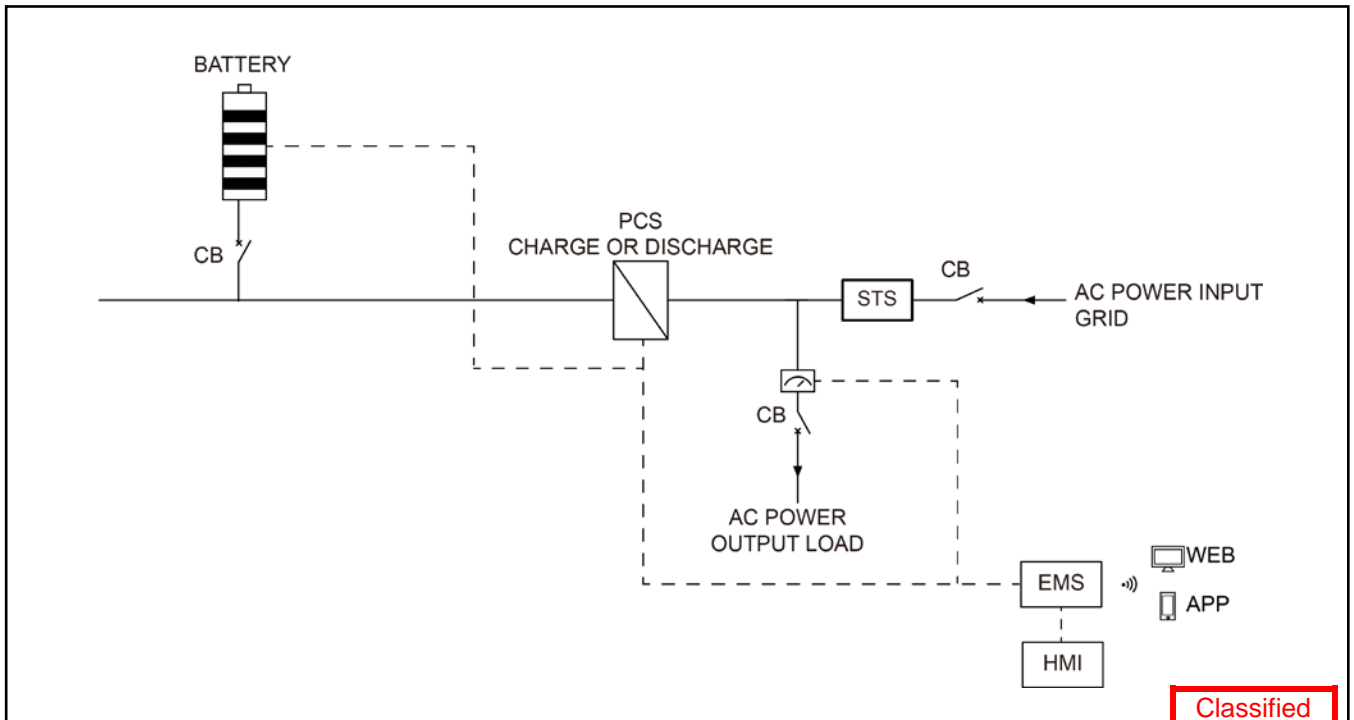
## SPECIFICATION



CHE125 Commercial Energy Storage System				
Item	Unit	Data		
Output power	kVA/kW	125/125		
Frequency	Hz	50		
Phase	P	3		
Power factor	PF	1		
Dimensions	mm	2900x1350x2250		
Dry weight	kg	6000		
40' Loading	Qty	4		
Protection class		IP54		
Noise level	dBA@7m	58		
Voltage	AC V	380	400	415
Current	A	190	180	174
Wiring port		L1、L2、L3、N、PE		
Voltage regulation range		±1%		
Load adaptation characteristics		Inductive load, resistive load		
Power connection input		AC socket: 3P/4W, 1x125kW		
Power connection output		AC socket: 3P/4W, 1x125kW		
Certification standards		<div style="display: flex; justify-content: space-between; align-items: flex-start;"> <div style="text-align: center;">  <p><b>UN38.3 PASSED</b> Transport Safety Certified</p>  <p>9001</p>   </div> <div style="text-align: left;"> <p>UN 38.3 IEC 62619 IEC 62477 IEC / EN 60529 EN 61000-6-1/2/3/4 AS 4777.2 G99 CE Declaration of Conformity</p> </div> </div>		

Classified  
Document  
2024.12.12

## System Working Principle



Classified Document

2024.12.12

## Intelligent Energy Management



DC/AC System		
Rated power	kVA/kW	125/125
Output voltage	AC V	380/400/415

Grid Power Input		
Rated power	kVA/kW	125/125
Phase	P	3

Battery System		
Battery type		LiFePO4
Battery capacity	kWh	230
Cooling system		Air-cooled
Max charging rate		1C
Max discharging rate		1C
NOTE: The discharge power decreases as the battery SOC decreases.		

Control System		
HMI control panel	inch	10.3" Touchscreen
Communication interface		WAN/WIFI/SIM
Cloud services		APP/WEB

\* Data is subject to change without prior notice as new products are always developed.  
Please contact POWERLINK or local agent with any doubts or for more information.

Classified  
Document  
2024.12.12