






# PES100

PORTABLE HYBRID ENERGY SYSTEM

## SPECIFICATION



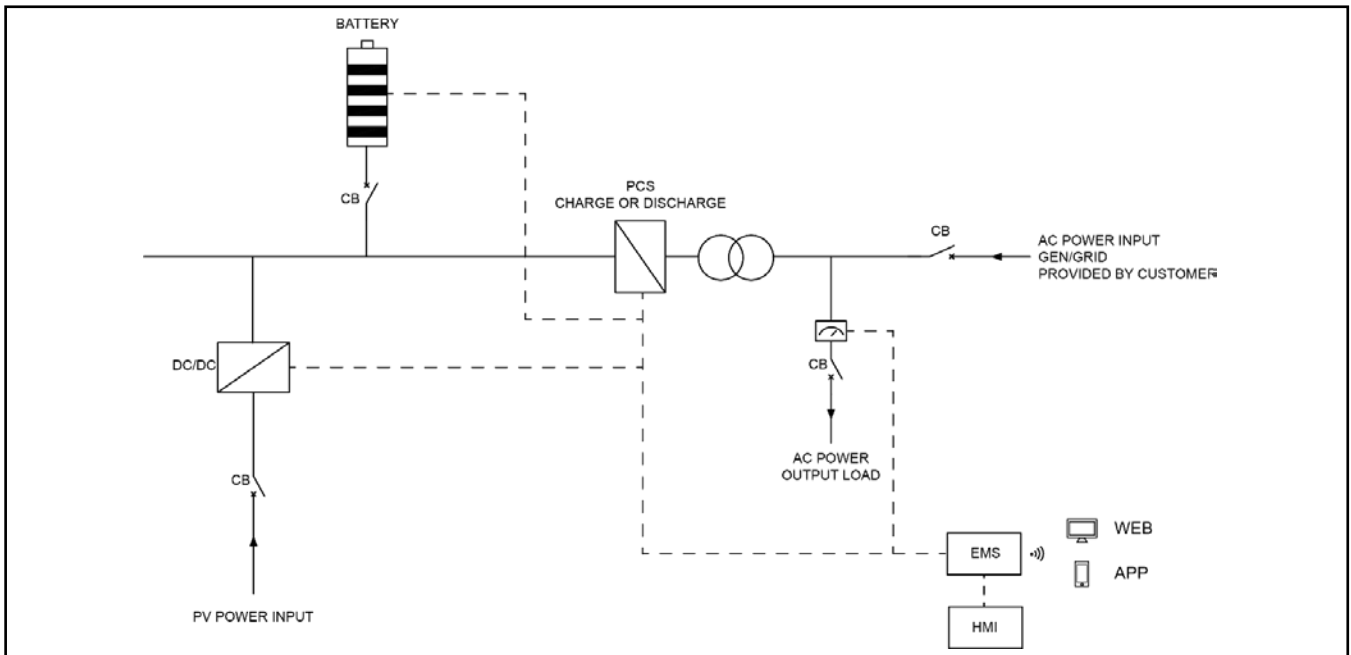
PES100 Portable Hybrid Energy System				
Item	Unit	Data		
Output power	kVA/kW	100/100		
Frequency	Hz	50		
Phase	P	3		
Power factor	PF	1		
Dimensions	mm	2250×1350×2250		
Dry weight	kg	3701		
40' Loading	Qty	8		
Protection class		IP54		
Noise level	dBA@7m	58		
Voltage	AC V	380	400	415
Current	A	152	144	139
Wiring port		L1、L2、L3、N、PE		
Voltage regulation range		±1%		
Load adaptation characteristics		Inductive load, resistive load		
Power connection input		AC socket: 3P/4W, 1x100kW DC socket: 1x30kW		
Power connection output		AC socket: 3P/4W, 1x100kW AC socket: 1P		
Certification standards		 UN 38.3  IEC 62619  IEC 62477  IEC / EN 60529  EN 61000-6-1/2/3/4 CE Declaration of Conformity		

Classified  
 Document  
 2024.12.12

## Intelligent Energy Management



## System Working Principle



### DC/AC System

Rated power	kVA/kW	100/100
Output voltage	AC V	380/400/415

### PV System

Rated power	kWp	30
Input voltage	DC V	0-650

NOTE: Solar panels are optional.

### Battery System

Battery type		LiFePO4
Battery capacity	kWh	115.2
Rated voltage	DC V	768
Cooling system		Air-cooled
Max charging rate		1C
Max discharging rate		1C

NOTE: The discharge power decreases as the battery SOC decreases.

### Control System

HMI control panel	inch	10.3" Touchscreen
Communication interface		WAN/WIFI/SIM
Cloud services		APP/WEB

\* Data is subject to change without prior notice as new products are always developed.  
Please contact POWERLINK or local agent with any doubts or for more information.

Classified  
Document  
2024.12.12