





PHE125

PORTABLE HYBRID ENERGY SYSTEM

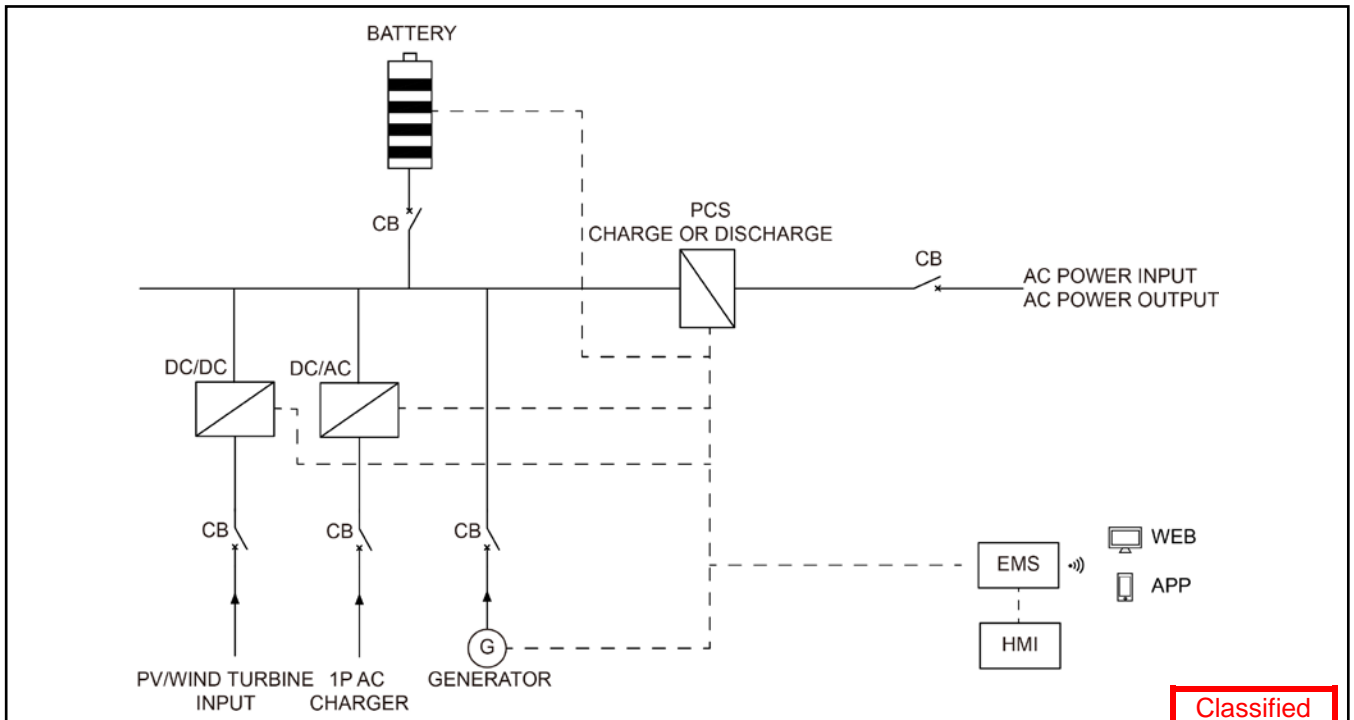
SPECIFICATION



PHE125 Portable Hybrid Energy System				
Item	Unit	Data		
Output power	kVA/kW	125/125		
Frequency	Hz	50		
Phase	P	3		
Power factor	PF	1		
Dimensions	mm	3000x2000x2250		
Dry weight	kg	5000		
40° Loading	Qty	3		
Protection class		IP54		
Noise level	dBA@7m	58		
Voltage	AC V	380	400	415
Current	A	190	180	174
Wiring port		L1、L2、L3、N、PE		
Voltage regulation range		±1%		
Load adaptation characteristics		Inductive load, resistive load		
Power connection input		AC socket & busbar: 3P/4W, 1x125kW DC socket: 1x50kW AC socket: 1P		
Power connection output		AC socket & busbar: 3P/4W, 1x125kW AC socket: 1P		
Certification standards		 UN38.3  ISO 9001  CE  IEC UN 38.3 IEC 62619 IEC 62477 IEC / EN 60529 EN 61000-6-1 EN 61000-6-2 EN 61000-6-3 EN 61000-6-4 CE Declaration of Conformity		

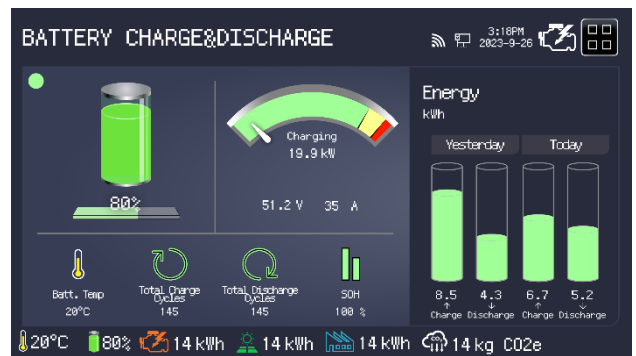
Classified
Document
2024.12.12

System Working Principle



Classified Document
2024.12.12

Intelligent Energy Management



DC/AC System		
Rated power	kVA/kW	125/125
Output voltage	AC V	380/400/415
1P AC charger	kVA/kW	10/10

PV System		
Rated power	kWp	50
Input voltage	DC V	541-749
NOTE: Solar panels are optional.		

Diesel Generator System		
Engine brand / model		Cummins
Rated power	kW	45
Rated voltage	DC V	541-749
Fuel Tank Capacity	L	300

Battery System		
Battery type		LiFePO4
Battery capacity	kWh	190
Rated voltage	DC V	665.6
Cooling system		Liquid-cooled
Max charging rate		1C
Max discharging rate		1C
NOTE: The discharge power decreases as the battery SOC decreases.		

Control System		
HMI control panel	inch	10.3" Touchscreen
Communication interface		WAN/WIFI/SIM
Cloud services		APP/WEB

* Data is subject to change without prior notice as new products are always developed.
Please contact POWERLINK or local agent with any doubts or for more information.

Classified
Document
2024.12.12