

SPECIFICATION



Power Link the World

MODEL R450B VR SERIES (FOR 50Hz DIESEL GENSET)

Revision: A2 (10/21)

To inquire the latest revision of
document, visit our website at:
<https://powerlinkenergy.com>



1 Standards & Conditions

Design Standards

The designs and the productions are in conformity with:

- Conformance Européenne (CE)
- ISO8528-5:2005
- GB/T2820.5-2009

Environmental Operating Conditions

- Installation place: Outdoors or indoors (well ventilated).
- Ambient temperature: -25°C to 45°C. The coolant heater is needed when the temperature is below 5°C
- Humidity: Less than 90%.
- Altitude: Below one thousand (1000) meters above sea level.

Factory Inspection

- Inspection items.
- Protection devices working test.
- Starting ability in normal temperature.
- 50% rated power load moment capability.
- Voltage deviation and speed variation: 0%, 25%, 50%, 75%, 100%, 110% Load.

Painting Process

- Painting process specifications and colors are based on the manufacturer's standard.
- The customer could also choose the color which the manufacturer offers.

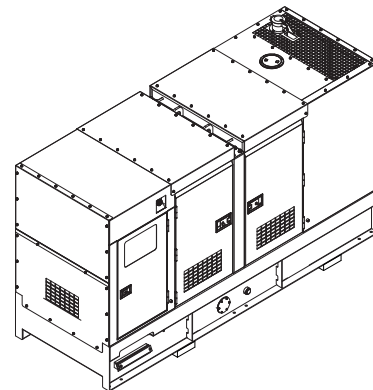
2 General Features

- Listerpetter engine VR6-13TAG3
- Close coupled to Leroy-somer alternator LSA47.3S5
- Microprocessor control module PLC-500
- Main circuit breaker: 800A
- Rotate speed governor: ECU
- Excitation System: Self Excited, SHUNT
- A.V.R. Model: R250
- Key switch
- Emergency stop switch
- ATS (automatic transfer switch) receptacle
- Remote run connector

- 2x12V/120AH sealed for life maintenance free battery
- Lockable battery isolator switch
- Powder coated canopy
- 50°C radiator
- Oil pump on the engine
- Steel base frame with forklifts
- Vibration isolators between the engine/alternator and base frame
- Dry type air filter
- Base fuel tank with 12 hours running
- Drain points for fuel tank
- Operator's Manual / Specifications

3 Equipment Specification

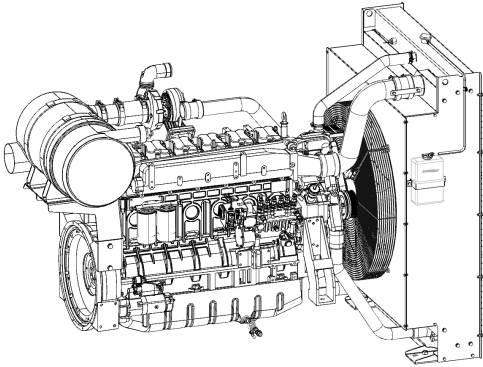
General technical data



Model.....	R450B
Tank capacity.....	720L
Dry weight.....	5985kg
Sound pressure level @ 7m.....	72.0dBA
Dimensions L×W×H.....	4183x1500x2156mm
Standby Power.....	500kVA/400kW
Prime Power.....	450kVA/360kW

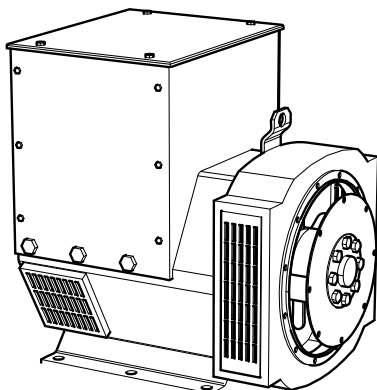
Voltage	380V	400V	415V		
Ampere	683.7A	649.5A	626.0A		
Genset Fuel Consumption					
Frequency/Load	25%	50%	75%	100%	110%
50Hz (L/h)	26	50	73	99	109

Dck Yf GrghYa



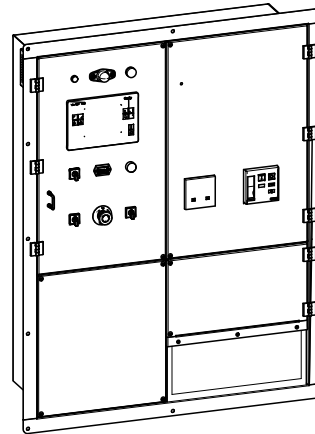
Engine Manufacturer/Brand	Listerpetter
Engine Model	VR6-13TAG3
Dimensions L×W×H.....	2372x1120x1488mm
Dry Weigh (approx.)	950kg
Number of Cylinders.....	6
Bore.....	129mm
Stroke	165mm
Displacement.....	12.9L
Compression Ratio	16.5
Type of injection.....	Direct injection
Intake System.....	Turbocharged and charge air cooled
Intake Resistance	≤5kPa
Cooling System	Water cooled
Fan	Pusher
Battery Voltage	24V
Type of Fuel.....	No.2 or ASTM D975
Type of Oil	API CF/SE or CCMCF4
Oil Capacity	34.0L
Type of Coolant	Glycol mixture
Coolant Capacity	20.0L
Back Pressure	≤ 6.0kPa
Standby Power	441kW
Prime Power	401kW

Alternator



Alternator Manufacturer/Brand	Leroy-somer
Alternator Model	LSA47.3S5
Exciter.....	Brushless
Cooling Fan	Cast alloy aluminum
Windings.....	100% copper
Insulation Class	H
Winding Pitch.....	2/3
Terminals	12
Drip Proof	IP23
Altitude.....	≤1000m
Overspeed	2250rpm
Air Flow.....	0.9 m3/s (50 Hz) / 1.1 m3/s (60 Hz)
Voltage Regulation	±0.5%
Total Harmonic TGH / THCat no load < 1.5 % - on load < 2%	
Telephone Interference.....	THF<2%;TIF<50

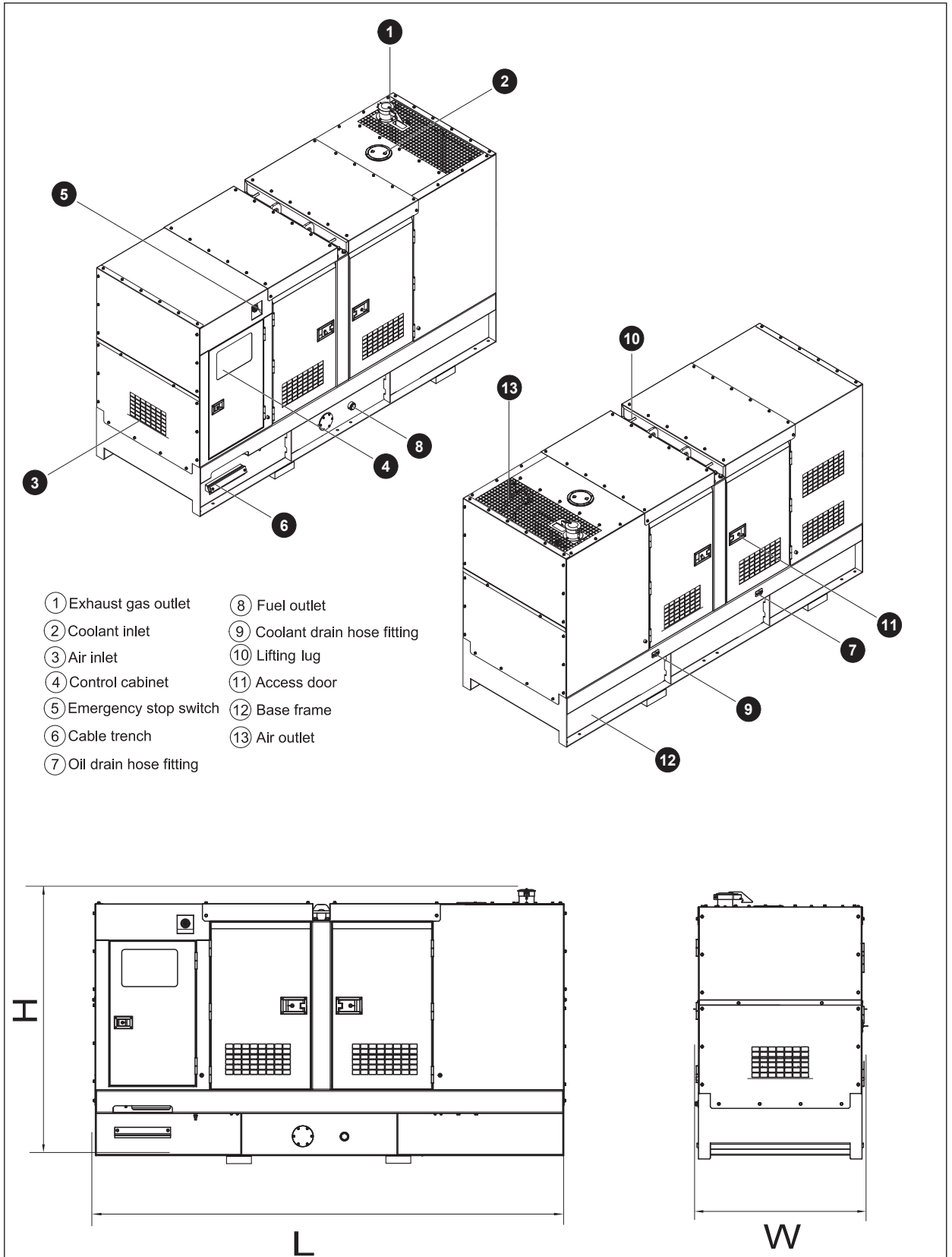
PLC500 Control System



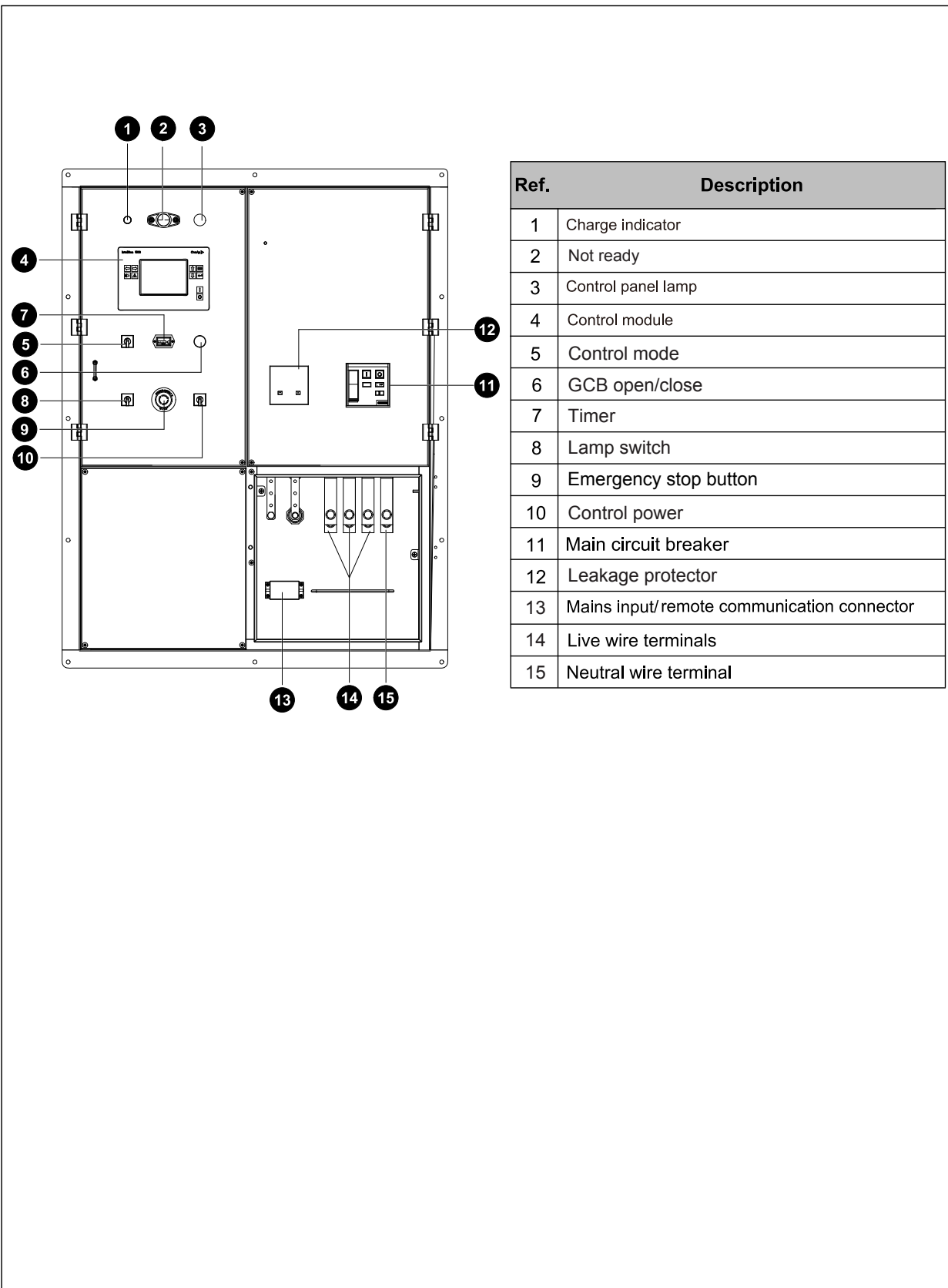
PLC-500 is a microprocessor based control unit containing all necessary functions for protection of the genset and the breaker control. Furthermore, it contains all necessary three-phase measuring circuits and presents all values and alarms on the LCD display. The module has the function of load sharing which enables the module to share the active load (kW) equally when operating in parallel with other gensets. The load sharing is performed so each genset takes a portion of the load that is calculated in percent according to the nominal power.

- Microprocessor control, with high stability and credibility
- Monitoring and measuring operational parameters of the genset
- Indicating operation status, fault conditions, all parameters and alarms
- Multiple protections; multiple parameters display, like pressure, temp. etc.
- Manual, automatic and remote work mode selectable
- RS232 & RS485 can be used at the same time
- Real time clock for time and date display, overall runtime display, 250 log entries

4 Overall Dimensions



5 Control System



SPECIFICATION

RG SERIES DIESEL GENSET

R450B

Revision: A2 (10/21)

To inquire the latest revision of
document, visit our website at:
<https://powerlinkenergy.com>

